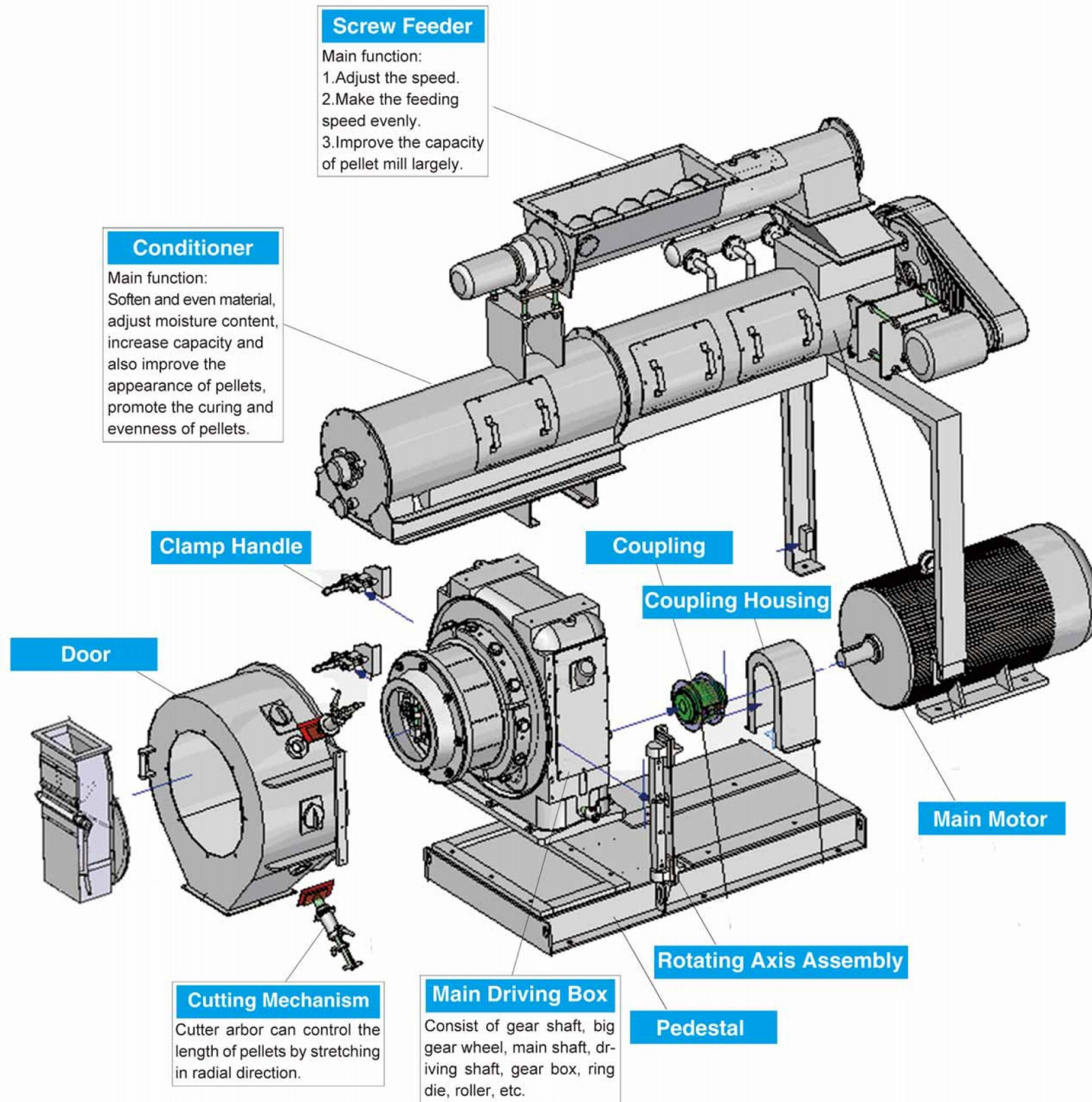
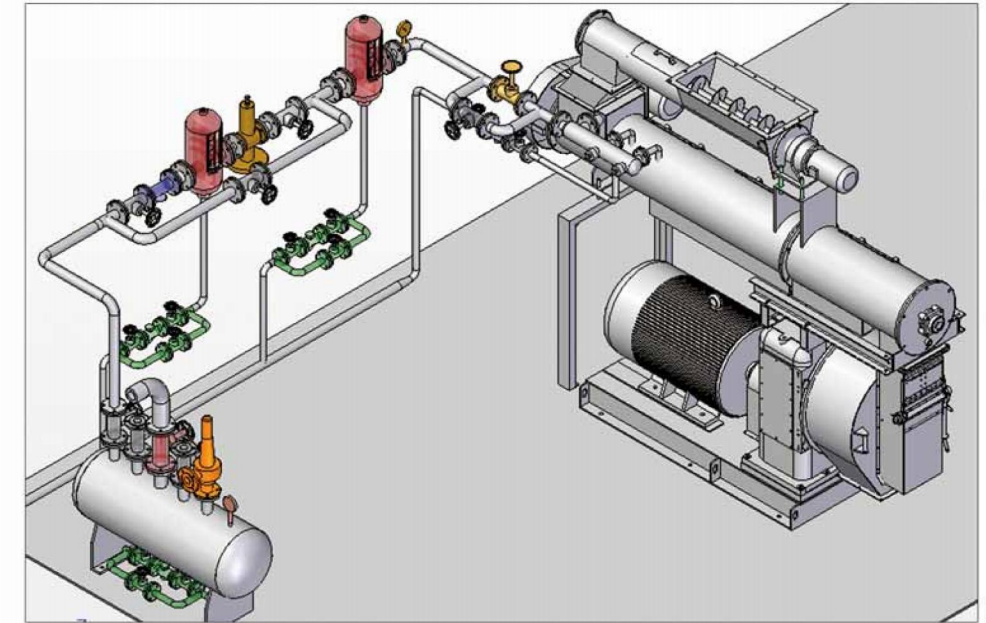


Schematic Structural View of Feed Pellet Mill



Steam system pipeline: suitable steam supply is crucial to the successful running of pellet mill.



Conditioner Type

